

**Self-stabilises on
uneven restaurant
and cafe surfaces.**

**Award winning
design.**



**Patented
technology.**

**Simple, robust
mechanical design.**

**Mastering
stabilising
technology for
over 25 years.**

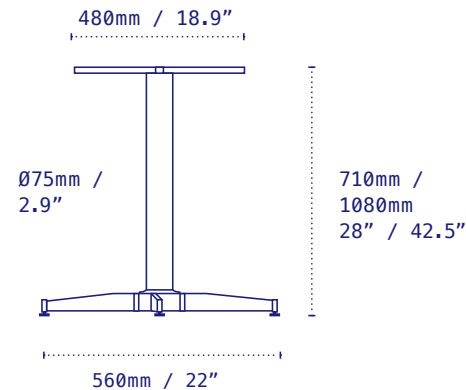
**Instant
stabilisation**

Parkway 22



The NOROCK 'Parkway' table base captures an industrial rawness. Angular and architectural, the exposed componentry and minimalist design illustrates the elements – crafted, zinc-plated steel, exposed fasteners and a dichotomous simplicity. Custom colours available.

Model	Parkway
Part Number	PWST22
Material	Zinc Plated Powder Coated Steel
Base Diameter	560mm – 22"
Style	Dining height / Bar Height
Height excl. Table Top	710mm – 28" / 1080mm – 42.5"
Column	Ø75mm – 2.9"
Top Plate	Fixed
Gross Weight (GW)	7.60kg – 16.75lbs
Net Weight (NW)	6.70kg – 14.74lbs
Carton Measurement	600 x 520 x 100mm – 23.6 x 20.5 x 4"
Max Recommended Top Size	700mm – 27" Dining / 600mm – 35.5" Bar



Dining

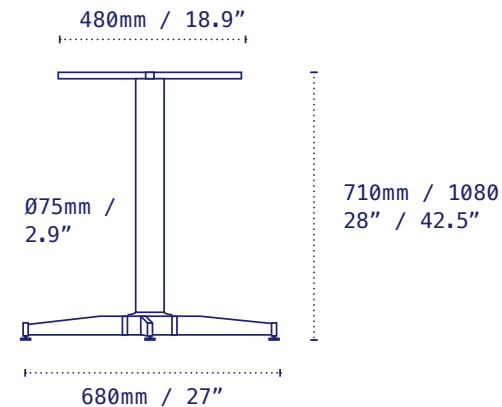
- Sandstone Black Part No: PWST22BK/B*
- Metallic Silver Part No: PWST22SI
- Rust Part No: PWST22RU
- Galvanised Part No: PWST22GA
- Antique Bronze Part No: PWST22AB

Parkway 27

The NOROCK 'Parkway' table base captures an industrial rawness. Angular and architectural, the exposed componentry and minimalist design illustrates the elements – crafted, zinc-plated steel, exposed fasteners and a dichotomous simplicity. Custom colours available.



Model	Parkway
Part Number	PWST27
Material	Zinc Plated Powder Coated Steel
Base Diameter	680mm – 27"
Style	Dining height / Bar Height
Height excl. Table Top	710mm – 28" / 1080mm – 42.5"
Column	Ø75mm – 2.9"
Top Plate	Fixed
Gross Weight (GW)	8.40kg – 18.51lbs
Net Weight (NW)	7.20kg – 15.84lbs
Carton Measurement	600 x 600 x 100mm – 23.6 x 23.6 x 4"
Max Recommended Top Size	900mm – 35.5" Dining / 700mm – 27.5" Bar



Dining

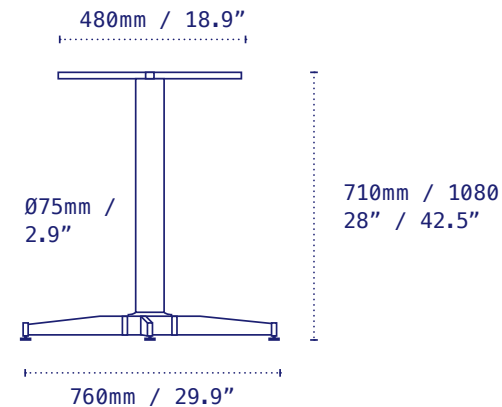
- Sandstone Black Part No: PWST27BK/B*
- Metallic Silver Part No: PWST27SI
- Rust Part No: PWST27RU
- Galvanised Part No: PWST27GA
- Antique Bronze Part No: PWST27AB

Parkway 30



The NOROCK 'Parkway' table base captures an industrial rawness. Angular and architectural, the exposed componentry and minimalist design illustrates the elements – crafted, zinc-plated steel, exposed fasteners and a dichotomous simplicity. Custom colours available.

Model	Parkway
Part Number	PWST30
Material	Zinc plated, powder coated steel
Base Diameter	760mm – 30"
Style	Dining height / Bar Height
Height excl. Table Top	710mm – 28" / 1080mm – 42.5"
Column	Ø75mm – 2.9"
Top Plate	Fixed
Gross Weight (GW)	8.9kg – 19.6lbs
Net Weight (NW)	7.70kg – 16.94lbs
Carton Measurement	670 x 600 x 100mm – 25.4 x 23.6 x 4"
Max Recommended Top Size	900mm 35.5" Dining / 700mm 27.5" Bar



Dining

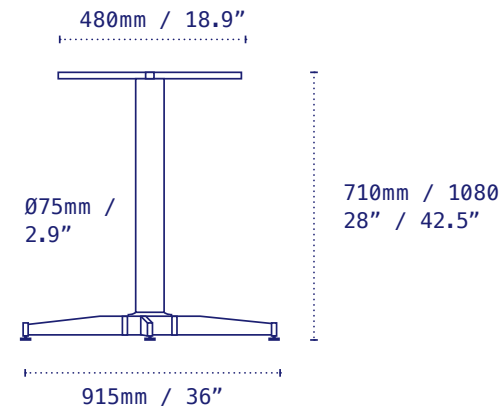
- Sandstone Black Part No: PWST30BK/B*
- Metallic Silver Part No: PWST30SI
- Rust Part No: PWST30RU
- Galvanised Part No: PWST30GA
- Antique Bronze Part No: PWST30AB

Parkway 36



The NOROCK 'Parkway' table base captures an industrial rawness. Angular and architectural, the exposed componentry and minimalist design illustrates the elements – crafted, zinc-plated steel, exposed fasteners and a dichotomous simplicity. Custom colours available.

Model	Parkway
Part Number	PWST36
Material	Zinc plated, powder coated steel
Base Diameter	915mm – 36"
Style	Dining height / Bar height
Height excl. Table Top	710mm – 28" / 1080mm – 42.5"
Column	Ø75mm – 2.9"
Top Plate	Fixed
Gross Weight (GW)	10kg – 22.05lbs
Net Weight (NW)	8.46kg – 18.62lbs
Carton Measurement	770 x 690 x 100mm – 30.3 x 26.8 x 4"
Max Recommended Top Size	1000mm 39.5" Dining / 700mm 27.5" Bar



Dining

- Sandstone Black Part No: PWST36BK/B*
- Metallic Silver Part No: PWST36SI
- Rust Part No: PWST36RU
- Galvanised Part No: PWST36GA
- Antique Bronze Part No: PWST36AB