

**Self-stabilises on
uneven restaurant
and cafe surfaces.**

**Award winning
design.**



**Patented
technology.**

**Simple, robust
mechanical design.**

**Mastering
stabilising
technology for
over 25 years.**

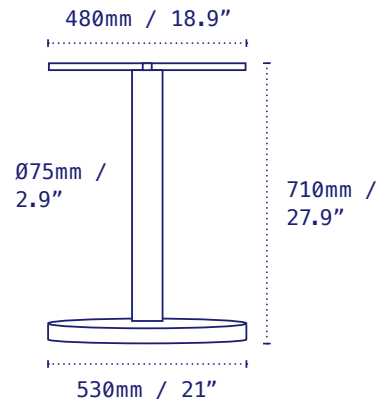
**Instant
stabilisation**

Lunar

NOROCK is excited to launch a new member to the family. The Lunar presents all the self-stabilising technology within the well designed, unique disc shaped base. Custom colours available



Model	Lunar
Part Number	LNST22
Material	Powder coated steel
Base Diameter	530 - 21"
Style	Dining height / Bar height
Height excl. Table Top	710mm - 28" / 1080mm - 43"
Column	Ø75mm - 3"
Top Plate	Fixed
Gross Weight (GW)	16.4kg
Net Weight (NW)	14.5kg
Carton Measurement	550 x 550 x 150mm
Max Recommended Top Size	800mm - 32" Dining / 600mm - 35.5" Bar



■ Sandstone Black Part No: TCAL27BK/B*